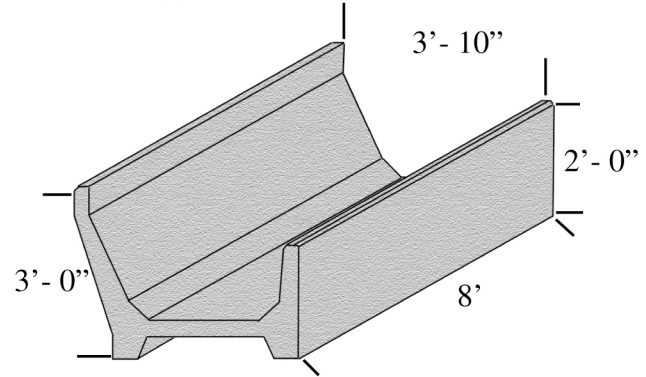
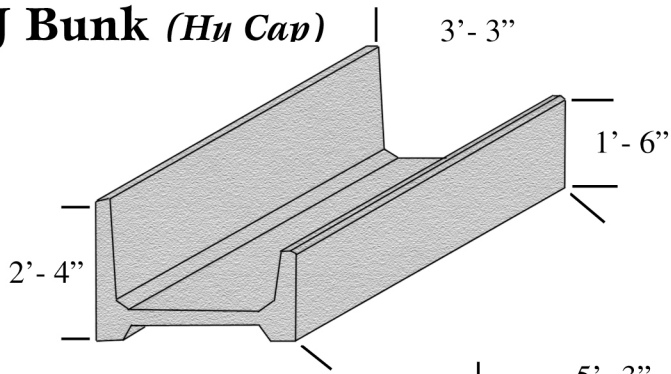


# FEED BUNKS

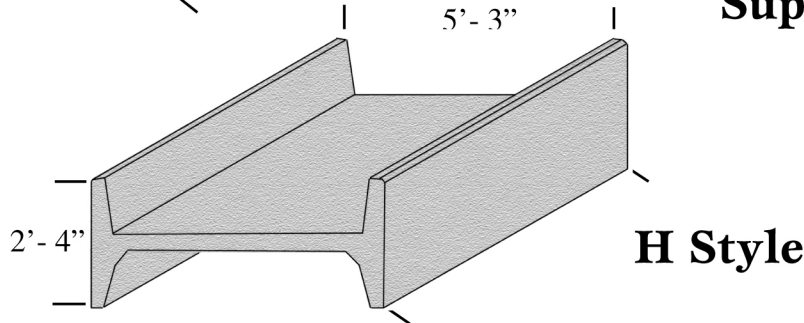
Three Engineered Styles for Various Feeding Applications

- All Feeders are Predrilled for Head Rail applications

**J Bunk** (*Hu Cap*)



**Super J** (*Superfenceline*)



**H Style**