

CAN AM

PRECAST PRODUCTS LTD.

Manufacturers of Agricultural Precast Products



The personnel at CAN AM have been serving the agricultural industry for the last decade. By listening and incorporating your ideas, CANAM has evolved to where we are today - exceeding customer expectations in service, and setting new standards in ergonomics for the industry.

As a CSA certified manufacturer, we only use materials which meet or exceed CSA standards. This, along with state of the art manufacturing equipment and the latest quality control technology, allows CAN AM to focus on a more comfortable, durable, self-cleaning slat.

CAN AM's materials and manufacturing process have resulted in a product that has exceptional resistance to bacterial growth. We are doing what we can to support you in your quest to a disease free environment.

CAN AM: Setting the future standards for today's traditional slat...



CAN AM
PRECAST
PRODUCTS LTD.

Centralia, Ontario, Canada

Plant: (519) 228-7520

Fax: (519) 228-7522

Cell: (519) 384-5451

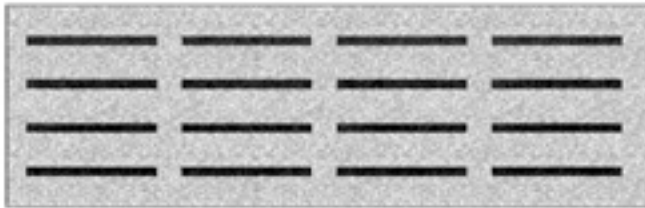
SLATS

The *personnel* at Can Am have been serving the *agricultural industry* for the *last decade*. We've listened to the ideas, designs and requests of each and every customer, that's why Can Am has evolved.

From dairy to various hog requirements Can Am has a large selection of Slat Designs available for today's market. Whether you're a contractor or a producer, Can Am saves you money and time.

Dairy/Beef

Drive-On Slat



Our slat was designed to *efficiently* allow manure to transfer from the surface to your gutter/pit. A cleaner slat means cleaner animals. A cleaner slat means less washing. A cleaner slat means less chance of bacterial growth. A cleaner slat means **MONEY**.

Dairy Slat



SILICA FUME boasts some of the following advantages:

- Improved abrasion resistance
- Increased durability
- Improved bonding to structural steel

And most importantly:

- Reduced Permeability
- Less permeability results in less deterioration

Freestall Dairy Slat



Hog/Farrow to Finish

2-Foot wide with pull plug hole



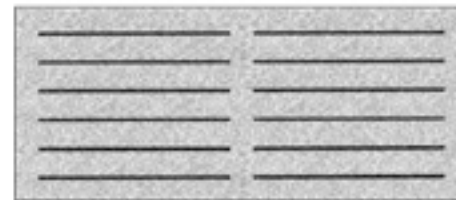
Dry Sow Slat with short clean-out holes



2-Foot wide standard slat



10' Finisher Slat (4" thick)

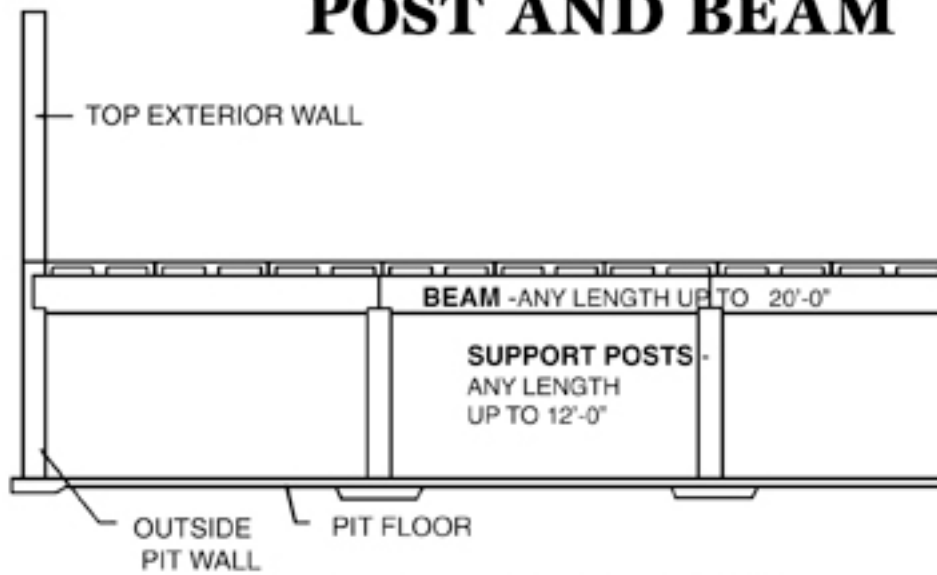


Up to 13'-14' finisher slat (6" thick)



The *DRY CAST* procedure creates up to **9500 psi** strength, along with high durability. In one word: Longevity

POST AND BEAM



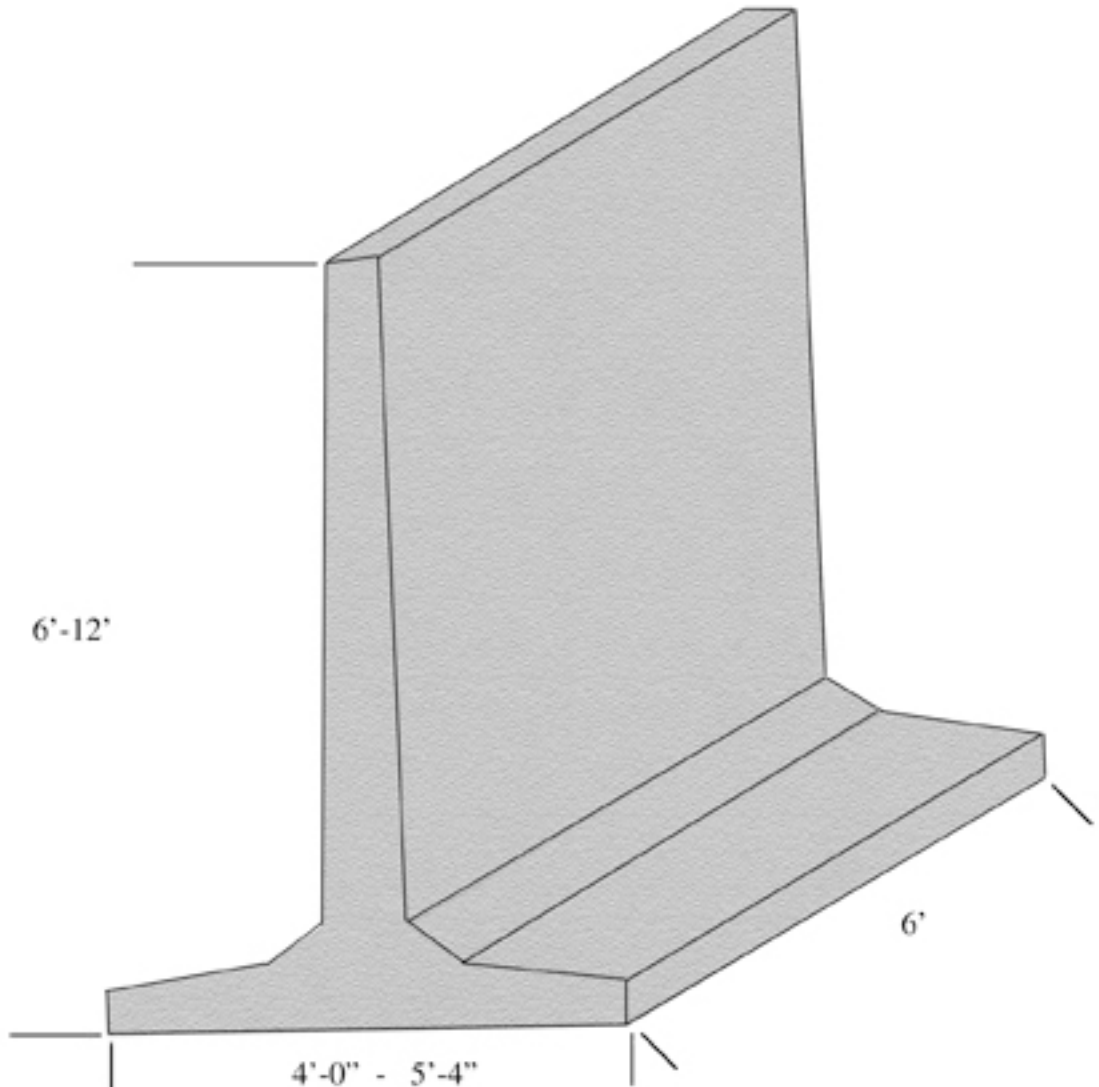
PRECAST BEAM AND SUPPORT POSTS

As a contractor, **Post and Beam** applications reduce on-site construction errors.
As a customer, **Post and Beam** gives you superior quality control as compared to that of job site construction.

In the end, Contractor or Customer,
the use of **Post and Beam**, puts your project ahead of schedule in all types of weather.

BUNKER SILO WALLS

- Engineered with Tongue and Groove Joints which allows for a free standing and Self Supporting System
- Wall systems can be used to store all types of Agricultural Products and act as support for Prefab Buildings
- Resale opportunities exist compared to that of Poured in Place Units
 - Height ranging from 6' to a full 12'
 - Heaviest T-wall on Today's Market



INSTALLATION REQUIREMENTS

- Place on an existing, or poured in place 6" footing or equivalent
 - Set pins in the provided reinforcing hole
 - Incorporate a concrete or equivalent floor between walls
- Once complete, backfill to the outline engineering guidelines